

GPE024L Series

·24W Max.

SWITCHING MODE POWER SUPPLY



Features

- 100-240VAC Universal Input
- Protections:
 - Short circuit/Over voltage/Over current
- Energy Efficiency Level VI or CoC Tier II
- No Load Power Consumption \leq 0.1W(VI), \leq 0.075W(Tier II)
- MTBF $>$ 50,000 hours

GPE024L- xxxyyy-z

xxx=050-240 表示输出电压为 5-24VDC, yyy=010-400 表示输出电流为 0.1-4A, Z: AC plug

| MODEL NO. | OUTPUT PORT | MAX.OUTPUT POWER(W) | OUTPUT VIKTAGE(Vo) | MIN. LOAD(lo) | MAX LOAD(lo) | LOAD REGULATI ON | LINE REGULATI ON | RIPPLE& NOISE |
|-----------|-------------|---------------------|--------------------|---------------|--------------|------------------|------------------|---------------|
| GPE024L | DC Plug | 24W | 5-8.9V | 0A | 4A | \pm 8% | \pm 1% | 300mV |
| GPE024L | DC Plug | 24W | 9-12.9V | 0A | 2.6A | \pm 5% | \pm 1% | 300mV |
| GPE024L | DC Plug | 24W | 13-17.9V | 0A | 1.8A | \pm 5% | \pm 1% | 300mV |
| GPE024L | DC Plug | 24W | 18-24V | 0A | 1.3A | \pm 5% | \pm 1% | 300mV |

NOTE:

- 1: Ripple measurements shall be made with an oscilloscope of at least 20 MHz bandwidth.10uF electrolytic Output shall be bypassed at the connector with a 0.1uF ceramic disk capacitor and a capacitor to simulate system loading at temperature 25. °C
- 2:Line regulation is defined by changing \pm 10% of input voltage from nominal line at rated load.
- 3:Max.Power(W) \geq V_o \times I_o

Electrical Specification

INPUT

- Input Range 100 to 240 VAC
- Frequency 50 to 60Hz
- Input Current 0.75A
- Inrush Current 30A/100VAC 60A/230VAC
- Hold Up Time \geq 8ms
- Turn On Time \leq 3s

OUTPUT

- Short Circuit Protection Auto Recovery
- Over Voltage Protection Auto Recovery
- Over Current Protection Auto Recovery

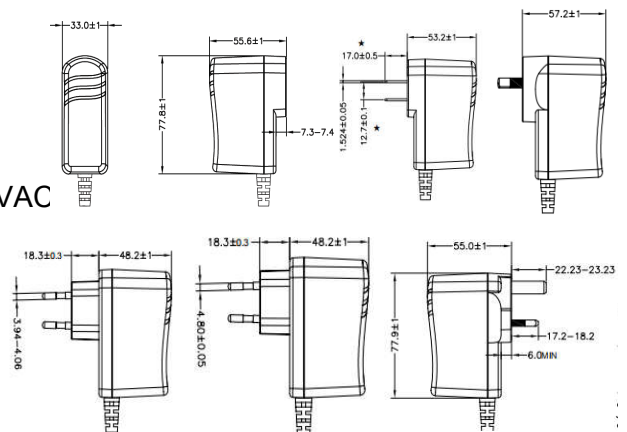
ENVIRONMENT

- Operating Temperature 0 to 40 °C
- Storage Temperature -25 to 70 °C
- Operating Humidity 8% to 90%
- Storage Humidity 5% to 95%

SAFETY

- Certified for whole series:UL 62368-1,EN 62368-1,FCC,DOE,ERP,EMC,SAA,CCC,LVD,RCM

Mechanical Specification



- Case Size:Body: 55.6L \times 77.8W \times 33H(mm)
- UL,CCC:53.2LX77.9WX33H(mm)
- GS,KS:66.5LX77.9WX33H(mm)
- SAA:57.2LX77.9WX33H(mm)
- BS:55L \times 77.9W \times 33H(mm)
- AC Plug:US EU UK AU CCC PSE
- Weight:124g