

GPE018S Series

·18W Max.

SWITCHING MODE POWER SUPPLY



Features

- 100-240VAC Universal Input
- Protections:
 - Short circuit/Over voltage/Over current
- Energy Efficiency Level VI or CoC Tier II
- No Load Power Consumption $\leq 0.1W$ (VI), $\leq 0.075W$ (Tier II)
- MTBF > 50,000 hours

GPE018S - xxxyyy-z

xxx=050-240 表示输出电压为 5-24VDC, yyy=001-300 表示输出电流为 0.1-3A, Z: AC plug

MODEL NO.	OUTPUT PORT	MAX.OUTPUT POWER(W)	OUTPUT VIKTAGE(Vo)	MIN. LOAD(lo)	MAX LOAD(lo)	LOAD REGULATIO	LINE REGULATIO	RIPPLE& NOISE
GPE018S	DC Plug	18W	5-8.5V	0A	3A	$\pm 5\%$	$\pm 1\%$	300mV
GPE018S	DC Plug	18W	9-12V	0A	2A	$\pm 5\%$	$\pm 1\%$	300mV
GPE018S	DC Plug	18W	12.1-17.5V	0A	1.49A	$\pm 5\%$	$\pm 1\%$	300mV
GPE018S	DC Plug	18W	18-24V	0A	1A	$\pm 5\%$	$\pm 1\%$	300mV

NOTE:

- 1: Ripple measurements shall be made with an oscilloscope of at least 20 MHz bandwidth. 10uF electrolytic Output shall be bypassed at the connector with a 0.1uF ceramic disk capacitor and a capacitor to simulate system loading at temperature 25°C
- 2: Line regulation is defined by changing $\pm 10\%$ of input voltage from nominal line at rated load.
- 3: Max.Power(W) $\geq V_o \times I_o$

Electrical Specification

INPUT

- Input Range 100 to 240 VAC
- Frequency 50 to 60Hz
- Input Current 0.5A
- Inrush Current 30A/100VAC 60A/230VAC
- Hold Up Time $\geq 8ms$
- Turn On Time $\leq 3s$

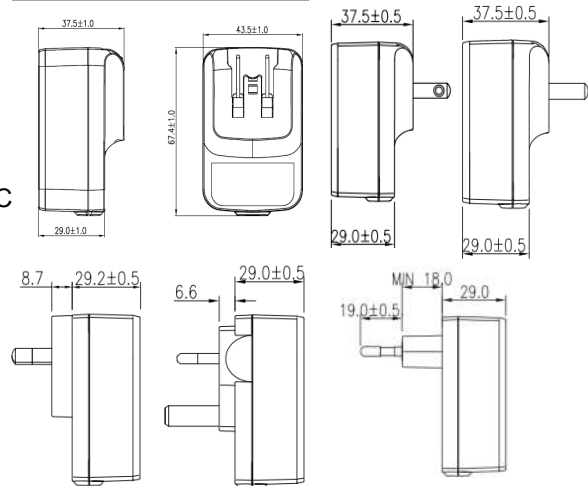
OUTPUT

- Short Circuit Protection Auto Recovery
- Over Voltage Protection Auto Recovery
- Over Current Protection Auto Recovery

ENVIRONMENT

- Operating Temperature 0 to 40°C
- Storage Temperature -25 to 85°C
- Operating Humidity 8% to 90%
- Storage Humidity 5% to 95%

Mechanical Specification



- Case Size: Body: 43.5L×67.4W×37.5H(mm)
- UL, CCC: 43.5L×65.6W×37.5H(mm)
- SAA: 43.5L×65.6W×37.9H(mm)
- GS: 43.5L×67.4W×47H(mm)
- BS: 43.5L×67.4W×35.6H(mm)
- AC Plug: US EU UK AU CCC PSE
- Weight: 96g

SAFETY

- Certified for whole series: UL 62368-1, EN 62368-1, FCC, DOE, GEMS, ERP, EMC, SAA, RCM

