

GPE013A Series

·12W Max.

SWITCHING MODE POWER SUPPLY



Features

- 100-240VAC Universal Input
- Protections:
 - Short circuit/Over voltage/Over current
- Energy Efficiency Level VI or CoC Tier II
- No Load Power Consumption $\leq 0.1W$ (VI), $\leq 0.075W$ (Tier II)
- MTBF>50,000 hours

GPE013A - 050yyy-z

yyy=001-240,表示输出电流 0.05-2.40A Z : AC plug

type:·1:US·2:EU·3:UK·4:AU·5:CCC·6:PSE

MODEL NO.	OUTPUT PORT	MAX.OUTPUT POWER(W)	OUTPUT VIKTAGE(Vo)	MIN. LOAD(Io)	MAX LOAD(Io)	LOAD REGULATI ON	LINE REGULATI ON	RIPPLE& NOISE
GPE013A	USB	12W	5V	0A	0.01-2.4A	$\pm 5\%$	$\pm 1\%$	300mV

NOTE:

- 1: Ripple measurements shall be made with an oscilloscope of at least 20 MHz bandwidth.10uF electrolytic Output shall be bypassed at the connector with a 0.1uF ceramic disk capacitor and a capacitor to simulate system loading at temperature 25.°C
- 2:Line regulation is defined by changing $\pm 10\%$ of input voltage from nominal line at rated load.
- 3:Max.Power(W) $\geq V_o \times I_o$

Electrical Specification

INPUT

- Input Range 100 to 240 VAC
- Frequency 50 to 60Hz
- Input Current 0.3A
- Inrush Current 30A/100VAC 60A/230VAC
- Hold Up Time $\geq 8ms$
- Turn On Time $\leq 3s$

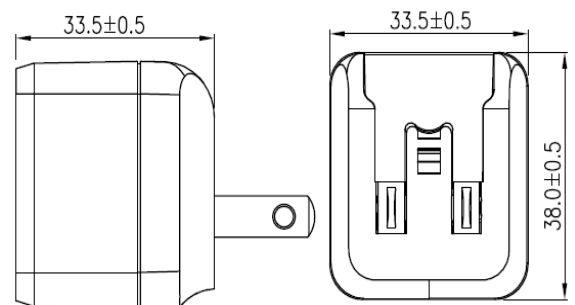
OUTPUT

- Short Circuit Protection Auto Recovery
- Over Voltage Protection Auto Recovery
- Over Current Protection Auto Recovery

ENVIRONMENT

- Operating Temperature 0 to 35°C
- Storage Temperature -25 to 70°C
- Operating Humidity 8% to 90%
- Storage Humidity 5% to 95%

Mechanical Specification



- Case Size:Horizontal:33.5L×38.5W×33.5H(mm)
- AC Plug:US EU UK AU KR
- Weight:72g

SAFETY

- Certified for whole series:LVD,EMC,ERP,EMC,ETL,SAA,RCM