

GPE006E Series

·7W Max.

SWITCHING MODE POWER SUPPLY



Features

- 100-240VAC Universal Input
- Protections:
 - Short circuit/Over voltage/Over current
- Energy Efficiency Level VI or CoC Tier II
- No Load Power Consumption $\leq 0.1W$ (VI), $\leq 0.075W$ (Tier II)
- MTBF>50,000 hours

GPE006E - xxxyyy-z

xxx =030-280,表示输出电压为:3.0-28VDC yyy=000-120,表示输出电流 为:0-1200mA, Z : AC plug

type: 1:US 2:EU 3:UK 4:AU 5:CCC 6:PSE

MODEL NO.	OUTPUT PORT	MAX.OUTPUT POWER(W)	OUTPUT VIKTAGE(Vo)	MIN. LOAD(lo)	MAX LOAD(lo)	LOAD REGULATI ON	LINE REGULATI ON	RIPPLE& NOISE
GPE006E	USB	6W	3.0-6.0V	0A	1.2A	$\pm 6\%$	$\pm 1\%$	300mV
GPE006E	USB	6W	6.1-9.9V	0A	0.98A	$\pm 5\%$	$\pm 1\%$	300mV
GPE006E	USB	6W	10.0-13.9V	0A	0.6A	$\pm 5\%$	$\pm 1\%$	300mV
GPE006E	USB	6W	14.0-20.9V	0A	0.42A	$\pm 5\%$	$\pm 1\%$	300mV
GPE006E	USB	7W	21.0-28.0V	0A	0.28A	$\pm 5\%$	$\pm 1\%$	300mV

NOTE:

- 1: Ripple measurements shall be made with an oscilloscope of at least 20 MHz bandwidth.10uF electrolytic Output shall be bypassed at the connector with a 0.1uF ceramic disk capacitor and a capacitor to simulate system loading at temperature 25. °C
- 2:Line regulation is defined by changing $\pm 10\%$ of input voltage from nominal line at rated load.
- 3:Max.Power(W) $\geq V_o \times I_o$

Electrical Specification

INPUT

- Input Range 100 to 240 VAC
- Frequency 50 to 60Hz
- Input Current 0.2A
- Inrush Current 30A/100VAC 60A/230VAC
- Hold Up Time $\geq 8ms$
- Turn On Time $\leq 3s$

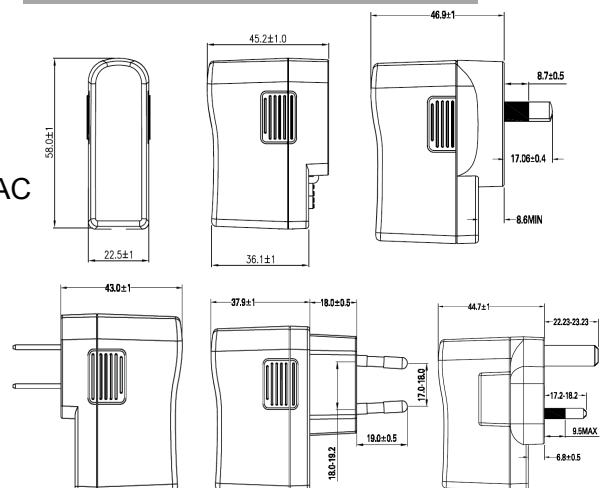
OUTPUT

- Short Circuit Protection Auto Recovery
- Over Voltage Protection Auto Recovery
- Over Current Protection Auto Recovery

ENVIRONMENT

- Operating Temperature 0 to 40°C
- Storage Temperature -25 to 70°C
- Operating Humidity 8% to 90%
- Storage Humidity 5% to 95%

Mechanical Specification



- Case Size:Body:45.2L×58W×22.5H(mm)
- UL,CCC:43L×58W×23.5H(mm)
- BS:44.7L×58W×23.5H(mm)
- SAA:46.9L×58W×23.5H(mm)
- GS:55.9L×58W×23.5H(mm)
- AC Plug:US EU UK AU CCC PSE
- Weight:40g

SAFETY

- Certified for whole series:LVD,EMC