

GPE090A-D Series

·90W Max.

SWITCHING MODE POWER SUPPLY



Features

- 100-240VAC Universal Input
- Protections:
 - Short circuit/Over voltage/Over current
- Energy Efficiency Level VI or CoC Tier II
- No Load Power Consumption $\leq 0.21\text{W}$ (VI), $\leq 0.075\text{W}$ (Tier II)
- MTBF > 50,000 hours

GPE090A-xxxxyy-D

xxx=090-240, 表示输出电压为 9-24VDC, yyy=001-600 表示输出电流为 0.01-6A

MODEL NO.	OUTPUT PORT	MAX. OUTPUT POWER(W)	OUTPUT VOLTAGE(V _o)	MIN. LOAD(I _o)	MAX LOAD(I _o)	LOAD REGULATION	LINE REGULATION	RIPPLE & NOISE
GPE090A-D	DC Plug	90W	12-16V	0A	0.01-6.5A	±5%	±1%	300mV
GPE090A-D	DC Plug	90W	17-24V	0A	0.01-5.29A	±5%	±1%	300mV

NOTE:

- 1: Ripple measurements shall be made with an oscilloscope of at least 20 MHz bandwidth. 10uF electrolytic Output shall be bypassed at the connector with a 0.1uF ceramic disk capacitor and a capacitor to simulate system loading at temperature 25. °C
- 2: Line regulation is defined by changing $\pm 10\%$ of input voltage from nominal line at rated load.
- 3: Max. Power(W) $\geq V_o \times I_o$

Electrical Specification

INPUT

- Input Range: 100 to 240 VAC
- Frequency: 50 to 60Hz
- Input Current: 1.8A
- Inrush Current: 60A/100VAC 100A/230VAC
- Hold Up Time: $\geq 8\text{ms}$
- Turn On Time: $\leq 3\text{s}$

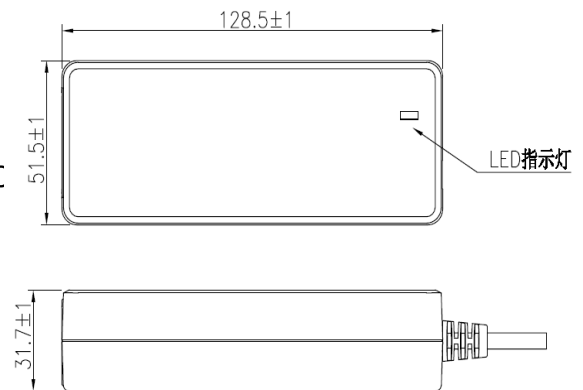
OUTPUT

- Short Circuit Protection: Auto Recovery
- Over Voltage Protection: Auto Recovery
- Over Current Protection: Auto Recovery

ENVIRONMENT

- Operating Temperature: 0 to 35°C
- Storage Temperature: -25 to 70°C
- Operating Humidity: 8% to 90%
- Storage Humidity: 5% to 95%

Mechanical Specification



- Case Size: Horizontal: 128.5L × 51.5W × 31.7H (mm)
- Weight: 280g

SAFETY

- Certified for whole series: UL 62368-1, EN 62368-1, LVD, DOE, GEMS, ERP, EMC, SAA, RCM, FCC, CCC 8898