

GPE072E-D Series

·72W Max.

SWITCHING MODE POWER SUPPLY



Features

- 100-240VAC Universal Input
- Protections:
 - Short circuit/Over voltage/Over current
- Energy Efficiency Level VI or CoC Tier II
- No Load Power Consumption \leq 0.21W(VI), \leq 0.075W(Tier II)
- MTBF $>$ 50,000 hours

GPE072E-xxxxyy-D

xxx=090-240, 表示输出电压为 9-24VDC,yy=001-600 表示输出电流为 0.01-6A

MODEL NO.	OUTPUT PORT	MAX.OUTPUT POWER(W)	OUTPUT VIKTAGE(Vo)	MIN. LOAD(Io)	MAX LOAD(Io)	LOAD REGULATIO N	LINE REGULATI ON	RIPPLE& NOISE
GPE072E-D	DC Plug	72W	9-12.9V	0A	6A	\pm 5%	\pm 1%	300mV
GPE072E-D	DC Plug	72W	13-17.9V	0A	5.54A	\pm 5%	\pm 1%	300mV
GPE072E-D	DC Plug	72W	18-24V	0A	4A	\pm 5%	\pm 1%	300mV

NOTE:

- 1: Ripple measurements shall be made with an oscilloscope of at least 20 MHz bandwidth.10uF electrolytic Output shall be bypassed at the connector with a 0.1uF ceramic disk capacitor and a capacitor to simulate system loading at temperature 25.°C
- 2:Line regulation is defined by changing \pm 10% of input voltage from nominal line at rated load.
- 3:Max.Power(W) \geq Vo \times Io

Electrical Specification

INPUT

- Input Range 100 to 240 VAC
- Frequency 50 to 60Hz
- Input Current 1.8A
- Inrush Current 60A/100VAC 90A/230VAC
- Hold Up Time \geq 8ms
- Turn On Time \leq 3s

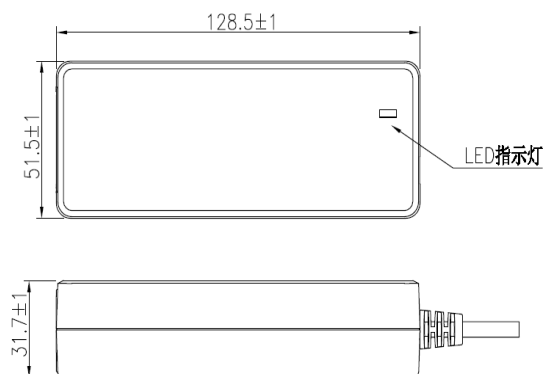
OUTPUT

- Short Circuit Protection Auto Recovery
- Over Voltage Protection Auto Recovery
- Over Current Protection Auto Recovery

ENVIRONMENT

- Operating Temperature 0 to 40°C
- Storage Temperature -25 to 70°C
- Operating Humidity 8% to 90%
- Storage Humidity 5% to 95%

Mechanical Specification



- Case Size:Horizontal:128.5L \times 51.5W \times 31.7H(mm)
- Weight:280g

SAFETY

- Certified for whole series:UL 62368-1,EN 62368-1,FCC,DOE,GEMS,ERP,EMC,SAA, CCC 8898,RCM