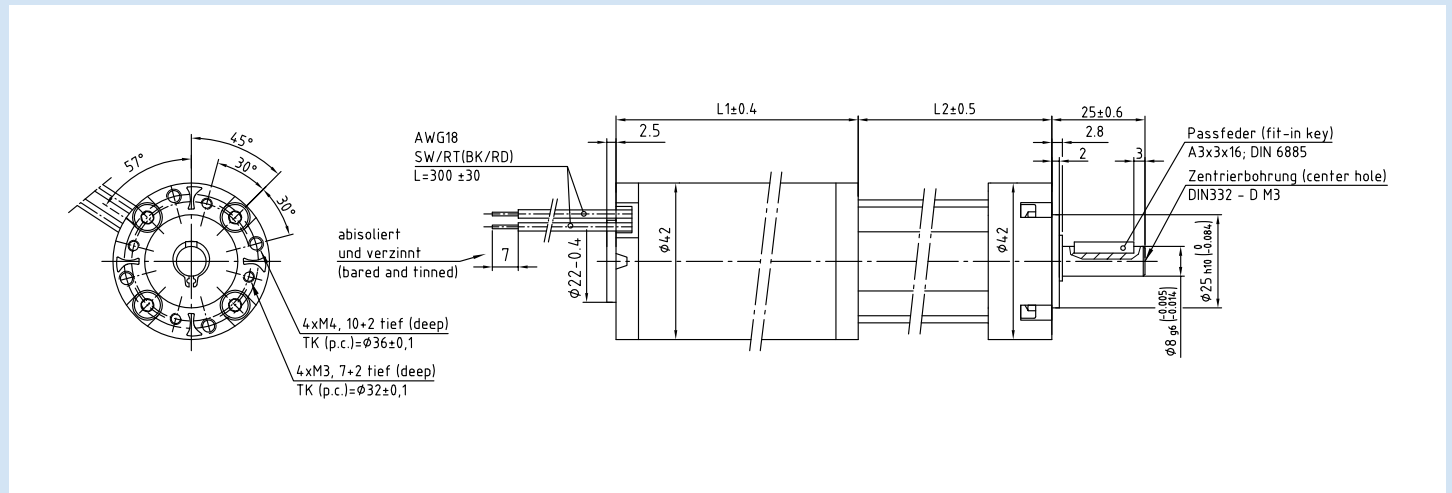


Motor M42/I with planetary gear PK42

- Steel gearhousing, aluminium gearflange
- Other reductions, output shaft or connection cable on request



Gear reduction table M42xXX/I+ PK42

Application on request

| Gear reduction | Number of gear stages | Efficiency of the gear | Speed at motor-speed 3000rpm | Continuous torque | | | |
|----------------|-----------------------|------------------------|------------------------------|------------------------|------------------------|------------------------|------------------------|
| | | | | M42x15/I L1 = 70 mm | M42x20/I L1 = 75 mm | M42x30/I L1 = 85 mm | M42x40/I L1 = 95 mm |
| [i = x:1] | [x] | [%] | [1/min] | [Ncm] | [Ncm] | [Ncm] | [Ncm] |
| 3.7 | 1 | 80 | 800 | 12 | 15 | 19 | 26.6 |
| 7 | 1 | 80 | 430 | 22 | 28 | 36 | 50 |
| 14 | 2 | 75 | 215 | 42 | 52 | 68 | 95 |
| 25 | 2 | 75 | 120 | 75 | 94 | 122 | 170 |
| 46 | 2 | 75 | 65 | 138 | 172 | 200* | 200* |
| 93 | 3 | 70 | 33 | 260 | 325 | 400* | 400* |
| 169 | 3 | 70 | 18 | 473 | 400* | 400* | 400* |
| 308 | 3 | 70 | 10 | 862 | 400* | 400* | 400* |

*) Motor have to be operated with current limitation

General gear data

| Number of gear stages | [x] | 1 | 2 | 3 |
|------------------------|-------------------------|----------|----------|-----------|
| Maximum torque | [Ncm] | 80 | 200 | 400 |
| Permissible shaft load | [N] (axial / radial) | 50 / 160 | 80 / 230 | 110 / 300 |
| Gear length L2 | [mm] | 39 | 52 | 65 |

Stand: 4. August 2020 – changes reserved