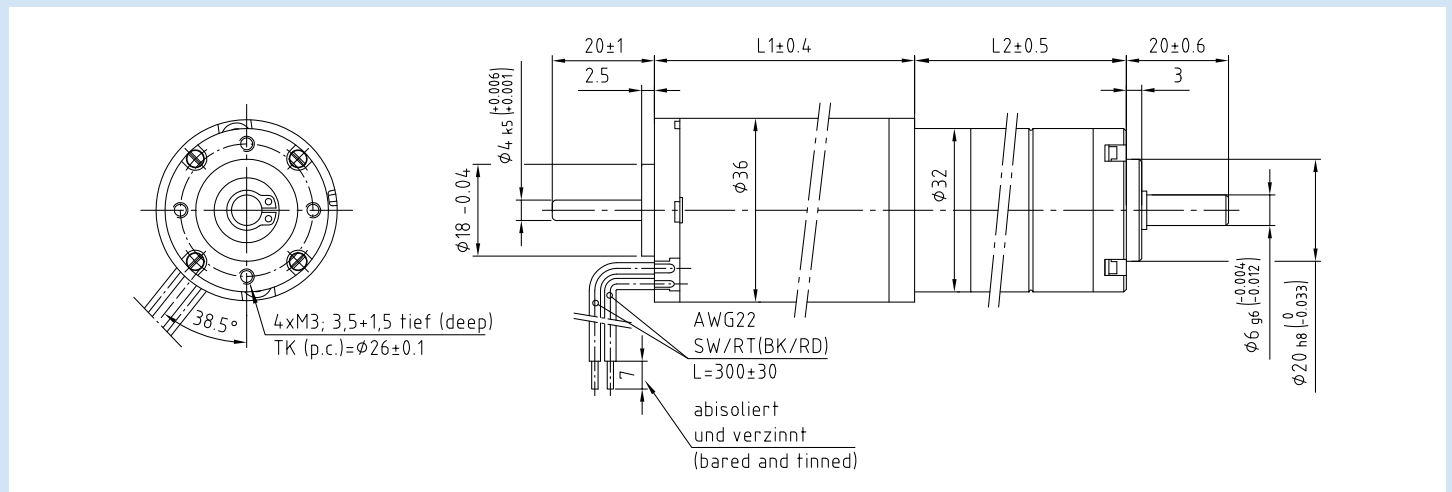


Motor M36/I with planetary gear P32

- Steel gearhousing, aluminium gearflange
- Other reductions, output shaft or connection cable on request



Gear reduction table M36xXX/I+ P32

Application on request

Gear reduction	Number of gear stages	Efficiency of the gear	Speed at motor-speed 3000rpm	Continuous torque	
				M36x20/I L1 = 61 mm	M36x30/I L1 = 71 mm
[i = x:1]	[x]	[%]	[1/min]	[Ncm]	[Ncm]
3.7	1	80	800	8.8	11.8
7	1	80	430	16.8	22.4
14	2	75	215	31.5	42
25	2	75	120	56	75
46	2	75	65	103	138
93	3	70	33	195	260
169	3	70	18	355	450*
308	3	70	10	450*	450*

*) Motor have to be operated with current limitation

General gear data

	[x]	1	2	3
Number of gear stages	[x]	1	2	3
Maximum torque	[Ncm]	75	225	450
Permissible shaft load	[N] (axial / radial)	10 / 40	20 / 70	30 / 100
Gear length L2	[mm]	21.3	30.8	40.3

Stand: 4. August 2020 – changes reserved