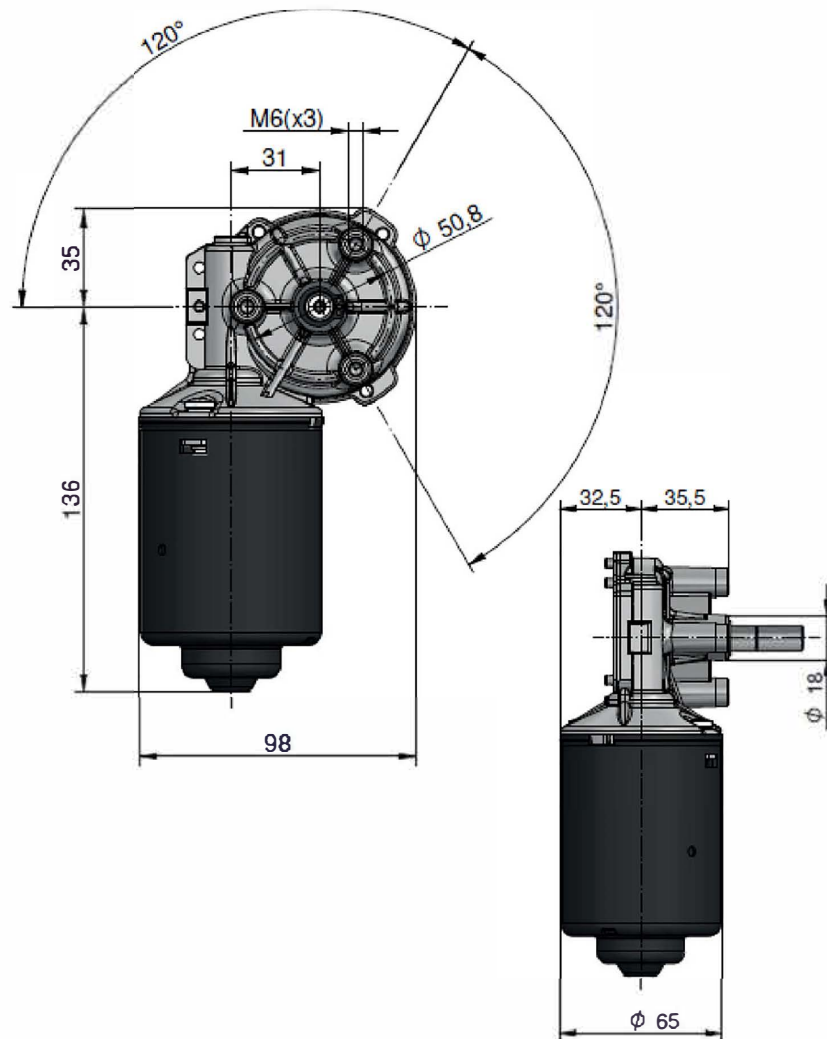


Gearmotor MR62-31



TECHNICAL DATA

DESCRIPTION	VALUE
Supply Voltage (V)	12, 24, 36, 48
No Load speed (RPM)	15-370
Starting Torque (Nm)	< 40
Gear ratio	1:69, 1:55, 2:53, 4:44
Gearwheel material	Aluminum, Bronzo - Pom, Bronze
Duty Type	S1, S2, S3
Max output power (W)	< 60
Weight (Kg)	< 1.2
Accessories:	Standard EMC filter Optional dual channel Hall sensor Optional 4, 12 pulses/revolution
Customizations:	<ul style="list-style-type: none"> • Thermal protection • Output shaft • Connector and wiring